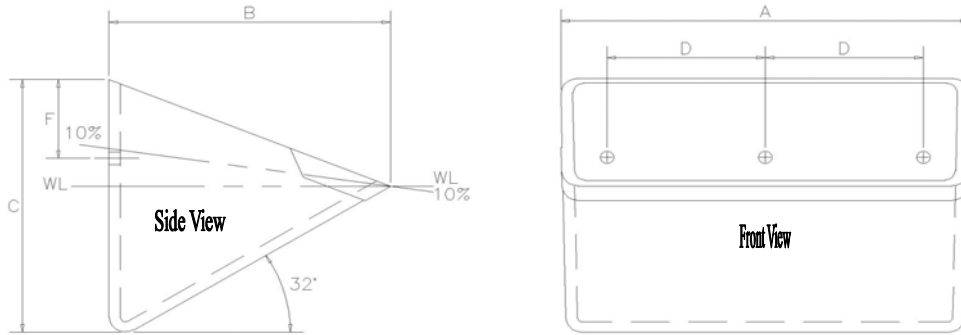


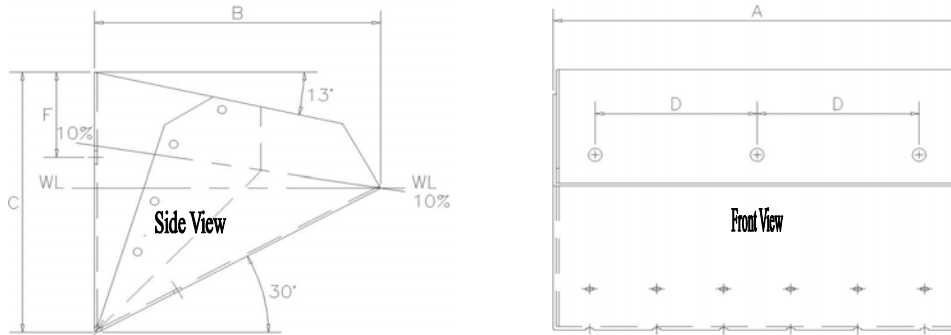
V Style "Heavy Duty" Polyethylene Agricultural Service Elevator Buckets



V Style "Heavy Duty" Polyethylene Elevator Buckets

BUCKET SIZE (Nominal) Inches	T.O.P.S. Part Number	DIMENSIONS <small>A,B & C Dimensions are +/- 1/4"</small>				PUNCHING PATTERN <small>(Holes will be drilled 1/16" oversize)</small>				CAPACITY <small>(WL + 10% should be used for engineering)</small>				SPACING (Inches)	PACKAGING		BUCKET WEIGHT (Average) Pounds
		Actual				Hole Centers D	Number of Holes	Distance Down F	Bolt Diameter	Water Level + 10%		Water Level (WL)		Standard Belt Spacing	Carton Quantity Avg.	Carton Weight Avg.	
		Length A	Projection B	Depth C	Back Wall Thickness					Cu. In.	Cu. Ft.	Cu. In.	Cu. Ft.				
6x5	BVSP0506	6-1/2	5-3/8	6	0.200	4-3/8"	2	1-3/4	1/4	59.7	0.035	54.3	0.031	7	24	18.10	0.65
7x5	BVSP0507	7-1/2	5-3/8	6	0.200	2-11/16"	3	1-3/4	1/4	64.4	0.037	58.6	0.034	7	24	20.50	0.75
9x6	BVSP0609	9-1/2	6-3/8	6-1/2	0.250	3-5/8"	3	2	1/4	107.4	0.062	97.6	0.056	8	24	33.70	1.30

V Style Fabricated Agricultural Service Elevator Buckets



V Style Fabricated Elevator Buckets

BUCKET SIZE (Nominal) Inches	T.O.P.S. Part Number	DIMENSIONS <small>A,B & C Dimensions are +/- 1/4"</small>				PUNCHING PATTERN <small>(Holes will be drilled 1/16" oversize)</small>				CAPACITY <small>(WL + 10% should be used for engineering)</small>				SPACING (Inches)	PACKAGING		BUCKET WEIGHT (Average) Pounds
		Actual				Hole Centers D	Number of Holes	Distance Down F	Bolt Diameter	Water Level + 10%		Water Level (WL)		Standard Belt Spacing	Carton Quantity Avg.	Carton Weight Avg.	
		Length A	Projection B	Depth C	Bucket Thickness					Cu. In.	Cu. Ft.	Cu. In.	Cu. Ft.				
6x4	BVSC0406	6-3/16	4-1/8	4-3/4	16ga	4-1/8"	2	1-1/2	1/4	32.9	0.019	29.9	0.017	6	24	34.90	1.35
6x5	BVSC0506	6-3/16	5-1/4	5-5/8	16ga	4-3/8"	2	2	1/4	53.7	0.031	48.8	0.028	7	24	46.90	1.85
7x5	BVSC0507	7-3/16	5-1/4	5-5/8	16ga	2-11/16"	3	2	1/4	60.4	0.035	54.9	0.032	7	24	51.70	2.05
9x5	BVSC0509	9-3/16	5-1/4	5-5/8	16ga	3-5/8"	3	2	1/4	84.6	0.049	76.9	0.044	7	24	60.10	2.40
9x6	BVSC0609	9-3/16	6-1/4	6-1/8	16ga	3--5/8"	3	2	1/4	114.1	0.066	103.7	0.060	8	24	68.50	2.75

Need a distributor in your area? Please contact T.O.P.S. Inc. at 877-326-4704!!!



2641 Metro Blvd. Maryland Heights, MO 63043
(Phone) 636-326-4700 (Fax) 314-395-8671 (Online) www.topsinc.us