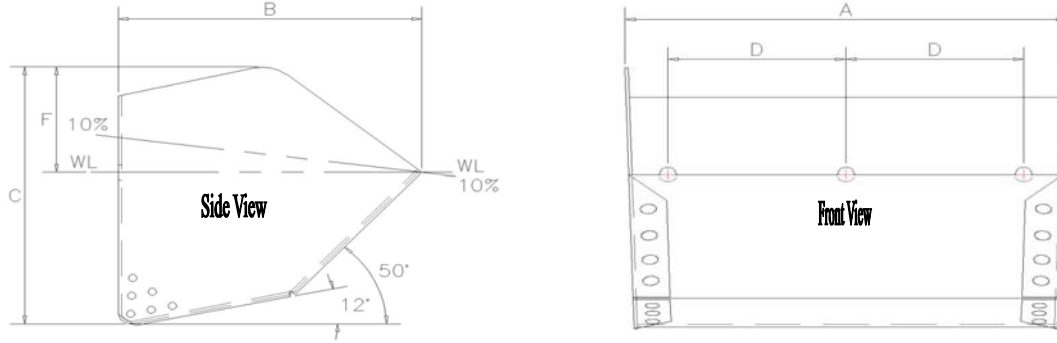


# *Sweetheart* Style Fabricated Agricultural Service Elevator Buckets



## *Sweetheart* Style Fabricated Elevator Buckets

BUCKET SIZE (Nominal) Inches	T.O.P.S. Part Number	DIMENSIONS				PUNCHING PATTERN				CAPACITY				SPACING	PACKAGING		BUCKET WEIGHT (Average) Pounds
		A.B & C Dimensions are +/- 1/4"				(Holes will be drilled 1/16" oversize)				(WL + 10% should be used for engineering)				(Inches)	Carton	Carton	
		Actual				Hole Centers D	Number of Holes	Distance Down F	Bolt Diameter	Water Level + 10%		Water Level (WL)		Standard Belt Spacing	Quantity Avg.	Weight Avg.	
		Length A	Projection B	Depth C	Bucket Thickness					Cu. In.	Cu. Ft.	Cu. In.	Cu. Ft.				
6x4	BSHC0406	6	4-3/8	4-3/8	16ga	4-3/8"	2	2"	1/4	48.4	0.028	44.0	0.025	5	24	43.30	1.70
6x5	BSHC0506	6-1/16	5-1/2	5-1/2	16ga	4-3/8"	2	2-1/2"	1/4	76.2	0.044	69.3	0.040	6	24	50.50	2.00
9x5	BSHC0509	9-1/16	5-1/2	5-1/2	16ga	3-5/8"	3	2-1/2"	1/4	123.5	0.071	112.3	0.065	6	24	69.70	2.80
9x6	BSHC0609	9-1/8	6-5/8	6-5/8	16ga	3-5/8"	3	2-3/4"	1/4	170.5	0.099	155.0	0.090	7	24	81.70	3.30
10x6	BSHC0610	10-1/8	6-5/8	6-5/8	16ga	4-1/8"	3	2-3/4"	1/4	192.0	0.111	174.5	0.101	7	24	86.50	3.50
12x6	BSHC0612	12-1/8	6-5/8	6-5/8	16ga	3-3/8"	4	2-3/4"	1/4	228.2	0.132	207.5	0.120	7	24	91.30	3.70
15x6	BSHC0615	15-1/8	6-5/8	6-5/8	16ga	3-1/4"	5	2-3/4"	1/4	288.6	0.167	262.4	0.152	7	12	63.70	5.10
12x7	BSHC0712	12-1/4	7-5/8	7-5/8	14ga	3-3/8"	4	2-3/4"	5/16	311.5	0.180	283.2	0.164	8	8	45.70	5.40
15x7	BSHC0715	15-1/4	7-5/8	7-5/8	14ga	3-1/4"	5	2-3/4"	5/16	402.8	0.233	366.1	0.212	8	8	52.90	6.30
10x9	BSHC0910	10-3/8	9-3/8	9-5/8	14ga	4-1/8"	3	3-1/4"	5/16	361.1	0.209	328.3	0.190	10	6	42.70	6.70
13x9	BSHC0913	13-3/8	9-3/8	9-5/8	14ga	3-3/4"	4	3-1/4"	5/16	473.9	0.274	430.8	0.249	10	6	50.50	8.00
14x9	BSHC0914	14-3/8	9-3/8	9-5/8	14ga	3"	5	3-1/4"	5/16	526.3	0.305	478.4	0.277	10	6	52.90	8.40
16x9	BSHC0916	16-3/8	9-3/8	9-5/8	14ga	2-7/8"	6	3-1/4"	5/16	604.1	0.350	549.2	0.318	10	6	58.30	9.30

Need a distributor in your area? Please contact T.O.P.S. Inc. at 877-326-4704!!



2641 Metro Blvd. Maryland Heights, MO 63043  
(Phone) 636-326-4700 (Fax) 314-395-8671 (Online) www.topsinc.us