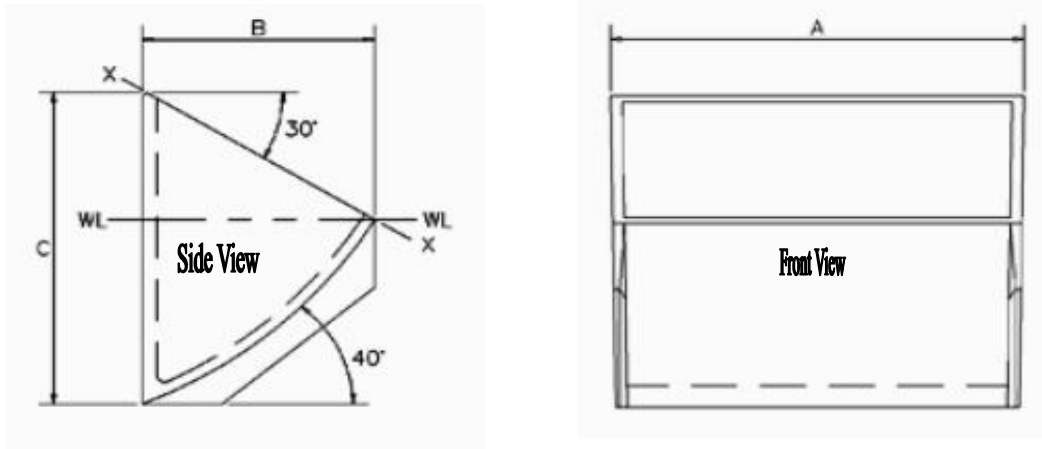


MF (Medium-Front) Style Nylon Industrial Service Elevator Buckets



MF (Medium-Front) Style Nylon Elevator Buckets

BUCKET SIZE (Nominal) Inches	T.O.P.S. Part Number	DIMENSIONS			THICKNESS			CAPACITY				SPACING	BUCKET WEIGHT (Average) Pounds
		A, B & C Dimensions are +/- 1/4"			Front Lip	Front Corner	Back Wall	(Net capacity should be used for engineering)				(Inches)	
		Actual						Gross X-X		Net		Standard Belt Spacing	
		Length A	Projection B	Depth C				Cu. In.	Cu. Ft.	Cu. In.	Cu. Ft.		
10x5x7	BMFN0510T	10-3/16	5-1/4	7-3/4	0.382	0.582	0.300	176.3	0.102	132.2	0.077	8	1.95
12x8x11	BMFN0812T	12-3/16	8-1/4	11-3/4	0.500	0.678	0.368	520.1	0.301	390.0	0.225	12	5.25
14x8x11	BMFN0814T	14-3/16	8-1/4	11-3/4	0.500	0.678	0.368	600.0	0.347	450.0	0.260	12	5.85

Need a distributor in your area? Please contact T.O.P.S. Inc. at 877-326-4704!!

