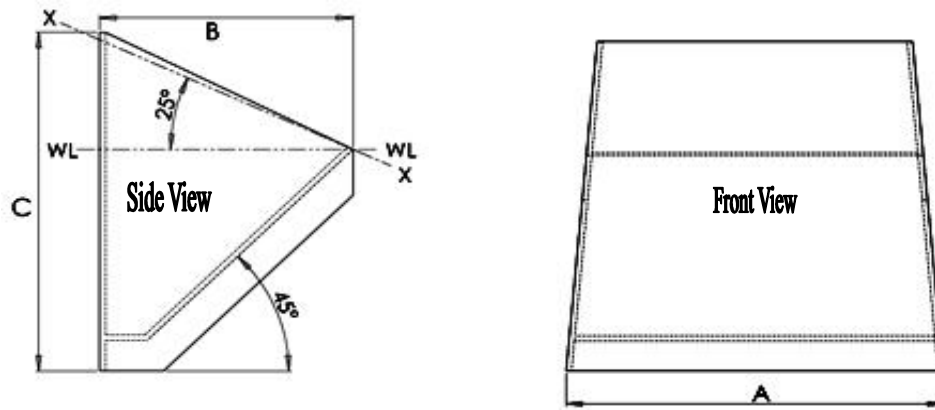


HFO (High-Front Overlapping) Style Fabricated Industrial Service Elevator Buckets



HFO (High-Front Overlapping) Style Fabricated Elevator Buckets

BUCKET SIZE (Nominal) Inches	T.O.P.S. Part Number	DIMENSIONS			WEIGHT (lbs.)					CAPACITY				SPACING
		A, B & C Dimensions are +/- 1/4"			(Estimated)					(Net capacity should be used for engineering)				(Inches)
		Actual			Carbon Steel Material					Gross X-X		Net		Standard Belt Spacing
		Length A	Projection B	Depth C	14 ga.	12 ga.	10 ga.	3/16"	1/4"	Cu. In.	Cu. Ft.	Cu. In.	Cu. Ft.	
8x5x7	BHFOF0508T	8	5	7-3/4	3.7	5.1	6.5	8.9		153.8	0.089	115.3	0.067	8
10x5x7	BHFOF0510T	10	5	7-3/4	4.3	5.9	7.6	10.5		193.5	0.112	145.2	0.084	8
10x6x9	BHFOF0610T	10	6	9-1/4		7.5	9.5	13.1		279.9	0.162	210.0	0.122	9-1/2
12x6x9	BHFOF0612T	12	6	9-1/4		8.6	10.8	15.0		333.5	0.193	250.1	0.145	9-1/2
10x7x11	BHFOF0710T	10	7	11-5/8		9.6	12.3	16.7		392.3	0.227	294.2	0.170	12
12x7x11	BHFOF0712T	12	7	11-5/8		10.8	14.0	19.0		475.2	0.275	356.4	0.206	12
14x7x11	BHFOF0714T	14	7	11-5/8		12.1	15.7	21.3		575.4	0.333	431.6	0.250	12
12x8x11	BHFOF0812T	12	8	11-5/8		11.8	15.0	20.5	27.1	553.0	0.320	414.7	0.240	12
14x8x11	BHFOF0814T	14	8	11-5/8		13.1	16.8	22.9	30.4	667.0	0.386	500.3	0.290	12
16x8x11	BHFOF0816T	16	8	11-5/8		14.5	18.6	25.2	33.6	734.4	0.425	550.8	0.319	12
16x12x17	BHFOF1216T	16	12	17-5/8			31.1	43.0	56.8	1662.3	0.962	1246.8	0.722	18
20x12x17	BHFOF1220T	20	12	17-5/8			36.4	50.4	66.6	2078.8	1.203	1559.1	0.902	18
24x12x17	BHFOF1224T	24	12	17-5/8			41.7	57.8	76.4	2495.2	1.444	1871.4	1.083	18

Need a distributor in your area? Please contact T.O.P.S. Inc. at 877-326-4704!!

