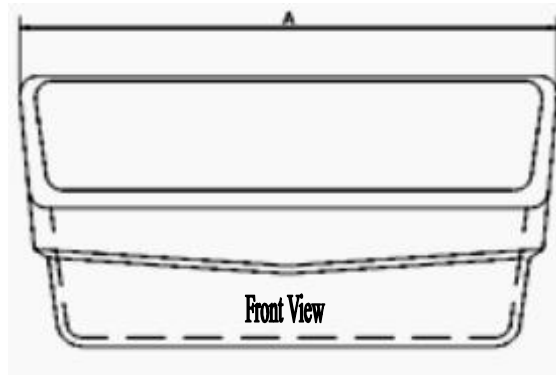
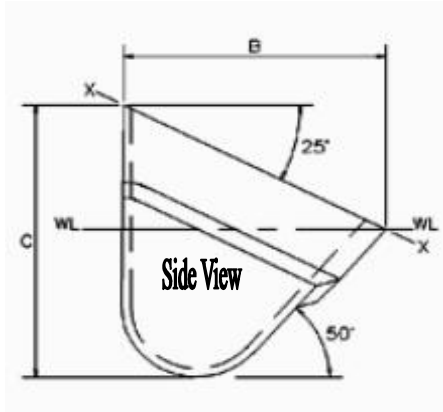


AA Style Nylon Industrial Service Elevator Buckets



AA Style Nylon Elevator Buckets

| BUCKET SIZE (Nominal) Inches | T.O.P.S. Part Number | DIMENSIONS | | | THICKNESS | | | CAPACITY | | | | SPACING | BUCKET WEIGHT (Average) Pounds |
|------------------------------------|----------------------------|----------------------------------|--------------|---------|-----------|--------------|-----------|-----------------------------------------------|---------|---------|---------|-----------------------|--------------------------------------|
| | | A, B & C Dimensions are +/- 1/4" | | | Front Lip | Front Corner | Back Wall | (Net capacity should be used for engineering) | | | | (Inches) | |
| | | Actual | | | | | | Gross X-X | | Net | | Standard Belt Spacing | |
| | | Length A | Projection B | Depth C | | | | Cu. In. | Cu. Ft. | Cu. In. | Cu. Ft. | | |
| 4x2-3/4 | BAAN0204T | Due 2011 | | | | | | | | | | 6 | |
| 5x3-1/2 | BAAN0305T | Due 2011 | | | | | | | | | | 7 | |
| 6x4 | BAAN0406T | 6-1/4 | 4-1/16 | 4-1/2 | 0.375 | 0.375 | 0.250 | 48.4 | 0.028 | 36.3 | 0.021 | 8 | 0.50 |
| 7x4-1/2 | BAAN0407T | Due 2011 | | | | | | | | | | 8 | |
| 8x5 | BAAN0508T | 8-1/4 | 5-1/16 | 5-1/2 | 0.313 | 0.313 | 0.313 | 98.5 | 0.057 | 73.9 | 0.043 | 9 | 0.95 |
| 15x5 | BAAN0515T | 15-5/8 | 5-7/16 | 5-1/2 | 0.500 | 0.563 | 0.500 | 209.1 | 0.121 | 156.8 | 0.091 | 9 | 2.95 |
| 19x5 | BAAN0519T | 19-5/8 | 5-7/16 | 5-1/2 | 0.500 | 0.563 | 0.500 | 228.1 | 0.132 | 171.1 | 0.099 | 9 | 3.25 |
| 10x6 | BAAN0610T | 10-1/4 | 6-1/8 | 6-3/8 | 0.500 | 0.563 | 0.375 | 176.3 | 0.102 | 132.2 | 0.077 | 10 | 1.60 |
| 12x7 | BAAN0712T | 12-1/2 | 7-1/2 | 7-1/2 | 0.563 | 0.688 | 0.375 | 300.7 | 0.174 | 225.5 | 0.131 | 11 | 3.20 |
| 14x7 | BAAN0714T | 14-1/2 | 7-1/2 | 7-1/2 | 0.563 | 0.688 | 0.375 | 373.3 | 0.216 | 280.0 | 0.162 | 11 | 3.40 |
| 14x8 | BAAN0814T | 14-1/2 | 8-1/8 | 8-1/2 | 0.625 | 0.750 | 0.500 | 442.4 | 0.256 | 331.8 | 0.192 | 12 | 3.65 |
| 16x8 | BAAN0816T | 16-1/2 | 8-1/8 | 8-1/2 | 0.625 | 0.750 | 0.500 | 501.1 | 0.290 | 375.8 | 0.217 | 12 | 4.80 |
| 18x8 | BAAN0818T | 18-1/2 | 8-1/8 | 8-1/2 | 0.625 | 0.750 | 0.500 | 534.0 | 0.309 | 400.5 | 0.232 | 12 | 5.10 |
| 24x8 | BAAN0824T | 24 | 8-1/8 | 8-1/2 | 0.813 | 0.875 | 0.625 | 623.9 | 0.361 | 467.9 | 0.271 | 12 | 10.20 |
| 18x10 | BAAN1018T | 18-1/2 | 10-1/8 | 10-1/2 | 0.750 | 0.875 | 0.500 | 843.3 | 0.488 | 632.5 | 0.366 | 14 | 9.50 |
| 24x13 | BAAN1324T | 24 | 12-1/2 | 13-1/2 | 0.813 | 0.875 | 0.750 | 1728.0 | 1.000 | 1296.0 | 0.750 | 17 | 19.45 |

Need a distributor in your area? Please contact T.O.P.S. Inc. at 877-326-4704!!



2641 Metro Blvd. Maryland Heights, MO 63043
(Phone) 636-326-4700 (Fax) 314-395-8671 (Online) www.topsinc.us