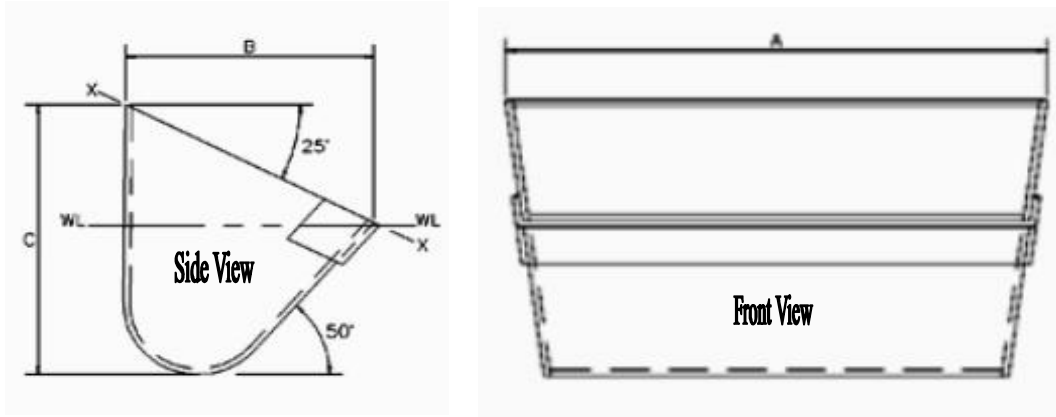


AA Style Fabricated Industrial Service Elevator Buckets



AA Style Fabricated Elevator Buckets

| BUCKET SIZE (Nominal) Inches | T.O.P.S. Part Number | DIMENSIONS | | | WEIGHT (lbs.) | | | | CAPACITY | | | | SPACING |
|------------------------------------|----------------------------|----------------------------------|-----------------|------------|--------------------------|--------|-------|-------|---|---------|---------|---------|-----------------------------|
| | | A, B & C Dimensions are +/- 1/4" | | | (Estimated) | | | | (Net capacity should be used for engineering) | | | | (Inches) |
| | | Actual | | | Carbon Steel Material | | | | Gross X-X | | Net | | Standard Belt Spacing |
| | | Length A | Projection B | Depth C | 12 ga. | 10 ga. | 3/16" | 1/4" | Cu. In. | Cu. Ft. | Cu. In. | Cu. Ft. | |
| 4x2-3/4 | BAAF0204T | 4 | 2-3/4 | 3 | 1.15 | 1.48 | 1.95 | | 15.6 | 0.009 | 11.7 | 0.007 | 6 |
| 4x3 | BAAF0304T | 4-1/2 | 3-3/8 | 3-1/2 | 1.31 | 1.68 | 2.24 | | 24.5 | 0.014 | 18.4 | 0.011 | 7 |
| 5x3-1/2 | BAAF0305T | 5 | 3-1/2 | 3-3/4 | 1.81 | 2.33 | 3.15 | | 30.5 | 0.018 | 22.8 | 0.013 | 7 |
| 6x4 | BAAF0406T | 6-1/8 | 4-1/8 | 4-1/2 | 2.35 | 3.02 | 3.96 | 5.27 | 51.0 | 0.029 | 38.2 | 0.022 | 8 |
| 7x4-1/2 | BAAF0407T | 7-1/8 | 4-1/2 | 4-3/4 | 3.17 | 4.08 | 5.35 | 7.12 | 76.7 | 0.044 | 57.5 | 0.033 | 8 |
| 7x5 | BAAF0507T | 7-1/8 | 5-1/4 | 5-1/2 | 3.63 | 4.66 | 6.18 | 8.22 | 95.4 | 0.055 | 71.6 | 0.041 | 9 |
| 8x5 | BAAF0508T | 8-1/8 | 5-1/4 | 5-1/2 | 4.15 | 5.33 | 7.06 | 9.39 | 112.5 | 0.065 | 84.4 | 0.049 | 9 |
| 9x5 | BAAF0509T | 9-1/8 | 5-1/4 | 5-1/2 | 4.67 | 6.00 | 7.94 | 10.56 | 128.9 | 0.075 | 96.7 | 0.056 | 9 |
| 11x5 | BAAF0511T | 11-1/8 | 5-1/4 | 5-1/2 | 5.71 | 7.29 | 9.71 | 12.91 | 158.7 | 0.092 | 119.0 | 0.069 | 9 |
| 12x5 | BAAF0512T | 12-1/8 | 5-1/4 | 5-1/2 | 6.23 | 7.99 | 10.59 | 14.09 | 174.6 | 0.101 | 131.0 | 0.076 | 9 |
| 15x5 | BAAF0515T | 15-1/8 | 5-1/4 | 5-1/2 | 8.78 | 10.00 | 13.24 | 17.61 | 214.2 | 0.124 | 160.7 | 0.093 | 9 |
| 19x5 | BAAF0519T | 19-1/8 | 5-1/4 | 5-1/2 | 9.86 | 12.66 | 16.77 | 22.30 | 286.3 | 0.166 | 214.7 | 0.124 | 9 |
| 9x6 | BAAF0609T | 9-1/8 | 6-1/4 | 6-1/2 | 5.15 | 6.63 | 8.81 | 11.72 | 174.7 | 0.101 | 131.0 | 0.076 | 10 |
| 10x6 | BAAF0610T | 10-1/8 | 6-1/4 | 6-1/2 | 5.73 | 7.37 | 9.79 | 13.02 | 206.8 | 0.120 | 155.1 | 0.090 | 10 |
| 11x6 | BAAF0611T | 11-1/8 | 6-1/4 | 6-1/2 | 6.16 | 7.93 | 10.46 | 13.91 | 223.4 | 0.129 | 167.5 | 0.097 | 10 |
| 12x6 | BAAF0612T | 12-1/8 | 6-1/4 | 6-1/2 | 6.60 | 8.49 | 11.29 | 15.02 | 245.0 | 0.142 | 183.7 | 0.106 | 10 |
| 12x7 | BAAF0712T | 12-5/8 | 7-3/8 | 7-1/2 | 8.11 | 10.42 | 13.93 | 18.53 | 353.1 | 0.204 | 264.8 | 0.153 | 11 |
| 14x7 | BAAF0714T | 14-5/8 | 7-3/8 | 7-1/2 | | 11.72 | 15.70 | 20.88 | 408.9 | 0.237 | 306.7 | 0.177 | 11 |
| 15x7 | BAAF0715T | 15-5/8 | 7-3/8 | 7-1/2 | | 12.37 | 16.58 | 22.05 | 443.2 | 0.257 | 332.4 | 0.192 | 11 |
| 16x7 | BAAF0716T | 16-5/8 | 7-3/8 | 7-1/2 | | 13.03 | 17.47 | 23.24 | 470.5 | 0.272 | 352.9 | 0.204 | 11 |
| 14x8 | BAAF0814T | 14-5/8 | 8-3/8 | 8-1/2 | | 13.90 | 18.64 | 24.80 | 521.6 | 0.302 | 391.2 | 0.226 | 12 |
| 16x8 | BAAF0816T | 16-5/8 | 8-3/8 | 8-1/2 | | 15.41 | 20.67 | 27.49 | 602.7 | 0.349 | 452.0 | 0.262 | 12 |
| 18x8 | BAAF0818T | 18-5/8 | 8-3/8 | 8-1/2 | | 16.92 | 22.70 | 30.19 | 683.2 | 0.395 | 512.4 | 0.297 | 12 |
| 20x8 | BAAF0820T | 20-5/8 | 8-3/8 | 8-1/2 | | 18.42 | 24.74 | 32.90 | 754.9 | 0.437 | 566.2 | 0.328 | 12 |
| 24x8 | BAAF0824T | 24-5/8 | 8-3/8 | 8-1/2 | | 21.43 | 28.81 | 38.32 | 903.7 | 0.523 | 677.8 | 0.392 | 12 |
| 18x10 | BAAF1018T | 18-3/4 | 10-3/8 | 10-1/2 | | 21.48 | 28.88 | 38.41 | 1025.5 | 0.593 | 769.1 | 0.445 | 14 |
| 24x10 | BAAF1024T | 24-3/4 | 10-3/8 | 10-1/2 | | 28.64 | 38.51 | 51.21 | 1367.3 | 0.791 | 1025.5 | 0.593 | 14 |
| 24x13 | BAAF1324T | 24-3/4 | 13-3/8 | 13-1/2 | | 49.69 | 66.25 | 88.33 | 1900.6 | 1.100 | 1425.5 | 0.825 | 17 |

Need a distributor in your area? Please contact T.O.P.S. Inc. at 877-326-4704!!



2641 Metro Blvd. Maryland Heights, MO 63043
(Phone) 636-326-4700 (Fax) 314-395-8671 (Online) www.topsinc.us