

Pointed Fanged Style Premium Quality Elevator Bolts

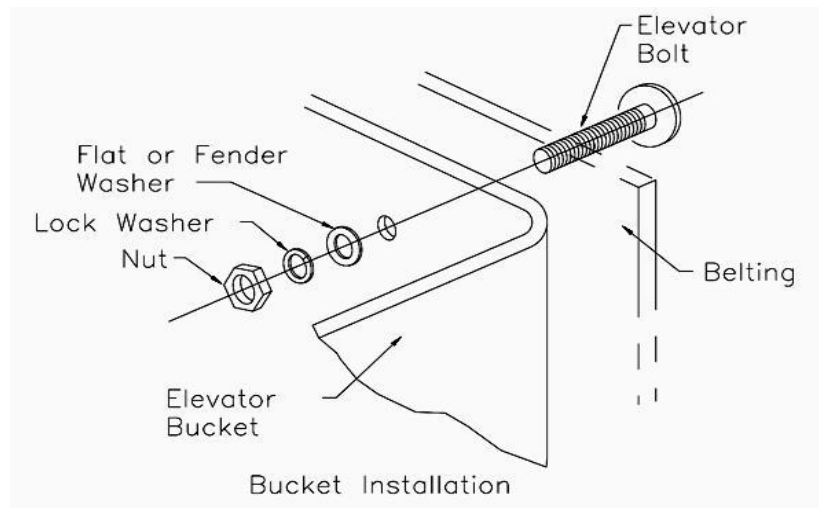


Pointed Fanged Style Elevator Bolts

BOLT SIZE (Nominal) Inches	HEAD DIAMETER	PACKAGING / WEIGHT (lbs.)								PART NUMBERS						
		Shelf Packs		Case Packs		Half Keg Packs		Full Kegs Packs		Elevator Bolt Material						
		Boxed w/ Finised Hex Nuts	Quantity	Weight	Boxed w/ Finised Hex Nuts	Quantity	Weight	BULK	Quantity	Weight	BULK	Quantity	Weight	Carbon Steel	Zinc Plated	Stainless
1/4 x 1	31/32	100	3.20	2000	64.80	1800	43.50	3600	85.80	CPF4100	ZPF4100					
1/4 x 1-1/4	31/32	100	3.50	2000	70.80	1300	35.00	2600	68.80	CPF4104	ZPF4104					
1/4 x 1-1/2	31/32	100	3.90	2000	78.80	1300	40.85	2600	80.50	CPF4108	ZPF4108					
5/16 x 1-1/4	1-3/16	100	5.80	1000	58.88	800	37.60	1600	74.00	CPF5104	ZPF5104					
5/16 x 1-1/2	1-3/16	100	6.25	1000	63.30	700	36.20	1400	71.20	CPF5108	ZPF5108					
5/16 x 2	1-3/16	100	7.10	1000	71.80	550	33.38	1100	65.55	CPF5200	ZPF5200					

** All T.O.P.S. Inc. elevator bolts are quality tested and exceed grade 2 specifications.

Need a distributor in your area? Please contact T.O.P.S. Inc. at 877-326-4704!!



2641 Metro Blvd. Maryland Heights, MO 63043
(Phone) 636-326-4700 (Fax) 314-395-8671 (Online) www.topsinc.us