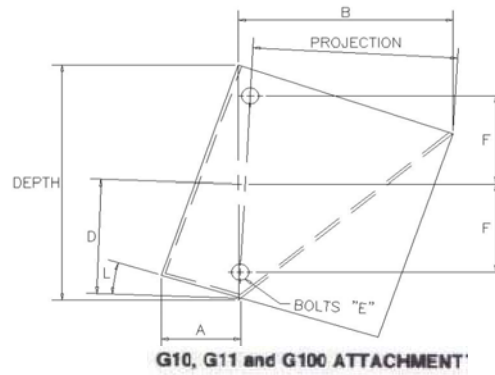
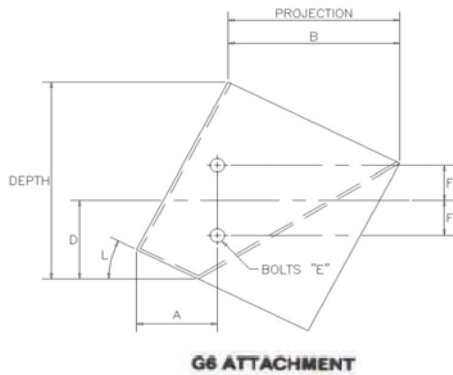


Chain Punching for "Continuous Discharge" Elevator Buckets

(G Attachments) Page 1 of 1

Style Super Capacity (SC)



Chain Attachment Number	Nominal Bucket Size (inches)		A	B	D	E	F	L°
	Style SC							
	Projection	Depth						
SS 4850-G6	8-3/4	11-5/8	4-9/16	8-3/4	5-1/4	3/4	1-7/8	28°-30°
SS 4851-G10	12	17-3/8	6-1/2	12-7/16	7-1/8	1/2	4-1/2	22°
SS 4852-G10	12	17-3/8	6-1/2	12-7/16	7-1/8	1/2	4-1/2	22°
SS 4851-G11	12	17-3/8	6-1/2	12-7/16	8-1/2	5/8	4-1/2	22°
SS 4852-G11	12	17-3/8	6-1/2	12-7/16	8-1/2	5/8	4-1/2	22°
SS 4851-G100	12	17-3/8	6-1/2	12-7/16	8-1/2	5/8	7	22°
SS 4852-G100	12	17-3/8	6-1/2	12-7/16	8-1/2	5/8	7	22°

Consult a T.O.P.S. Inc. staff member for dimension certification.

Need a distributor in your area? Please contact T.O.P.S. Inc. at 877-326-4704!!



2641 Metro Blvd. Maryland Heights, MO 63043
 (Phone) 636-326-4700 (Fax) 314-395-8671 (Online) www.topsinc.us