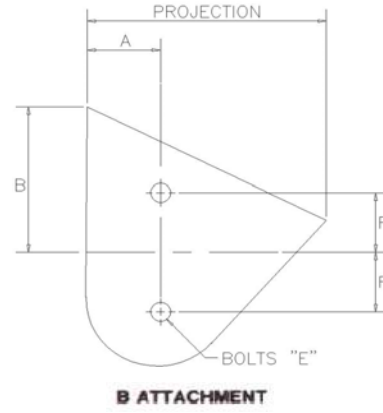
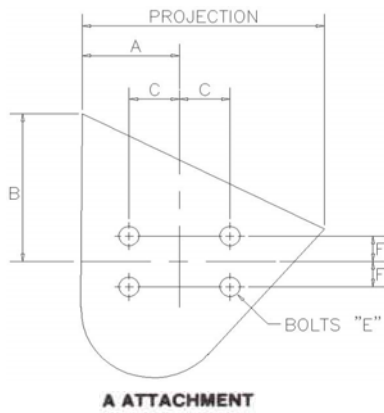


# Chain Punching for "Centrifugal Discharge" Elevator Buckets

(A & B Wing Attachments) -- Page 1 of 1

## Styles A, AA & SC



Wing Attachment Number	Nominal Bucket Projection, (inches)	Type A & AA		Type SC		C	E	F
		A	B	A	B			
Inches								
2A	10	3-3/4	5-3/8			2	1/2	1-5/8
3A	10	3-3/4	5-3/8			2	1/2	1-5/8
4A	10	3-3/4	5-3/8			2	1/2	1-5/8
5A	5					1-3/8	5/16	11/16
	5-1/2					1-3/8	5/16	11/16
	6	2-1/2	3-1/2	2-1/2	2-3/4	1-3/8	5/16	11/16
	6-1/2					1-3/8	5/16	11/16
6A	7					1-11/16	3/8	5/8
	7	2-5/8	4			1-11/16	3/8	5/8
	8	3	4-1/2	3	3-3/4	1-11/16	3/8	5/8
7A	7	2-5/8	4			2	3/8	1-1/8
	8	3	4-1/2	3	3-3/4	2	3/8	1-1/8
	10	3-3/4	5-3/8			2	3/8	1-1/8
30A	10	3-3/4	5-3/8			2	1/2	1-3/4
37A	4-1/2					1-1/4	5/16	9/16
	5					1-1/4	5/16	9/16
	5-1/2					1-1/4	5/16	9/16
	6	2-1/2	3-1/4	2-1/2	2-3/4	1-1/4	5/16	9/16
	6-1/2					1-1/4	5/16	9/16
39A	7	2-1/2	4			1-1/4	5/16	9/16
	4-1/2					1-1/16	5/16	11/16
	5	2	2-3/4			1-1/16	5/16	11/16
	5-1/2					1-1/16	5/16	11/16
	6	2-1/4	3-1/4	2-1/2	2-3/4	1-1/16	5/16	11/16
1B	6-1/2					1-1/16	5/16	11/16
	7	2-1/2	4			1-1/16	5/16	11/16
	7					1-1/16	5/16	11/16
	8	2-5/8	4-1/2	3	3-3/4	1-1/16	5/16	11/16
	10	3-3/4	5-3/8			1-1/16	5/16	11/16
2B	6-1/2						1/2	1-7/8
	7	2-1/2	4				1/2	1-7/8
	8	2-5/8	4-1/2	3	3-3/4		1/2	1-7/8
	10	3-3/4	5-3/8				1/2	1-7/8
	3-1/2						1/4	7/8
2B	4	1-1/2	2-3/8				1/4	7/8
	4-1/2						1/4	7/8
	5	2	2-3/4				1/4	7/8
	5-1/2						1/4	7/8

Consult a T.O.P.S. Inc. staff member for dimension certification before punching elevator buckets.

**Need a distributor in your area? Please contact T.O.P.S. Inc. at 877-326-4704!!**



2641 Metro Blvd. Maryland Heights, MO 63043  
(Phone) 636-326-4700 (Fax) 314-395-8671 (Online) [www.topsinc.us](http://www.topsinc.us)