

## 3 Pronged (*Western Style*) Style Premium Quality Elevator Bolts



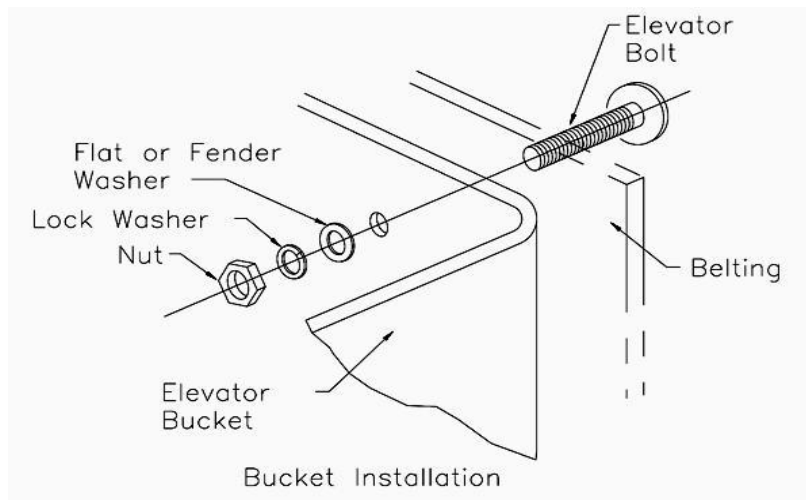
### 3 Pronged (*Western Style*) Style Elevator Bolts

BOLT SIZE (Nominal)  Inches	HEAD DIAMETER	PACKAGING / WEIGHT (lbs.)								PART NUMBERS					
		Shelf Packs		Case Packs		Half Keg Packs		Full Kegs Packs		Elevator Bolt Material					
		Boxed w/ Finished Hex Nuts	Quantity	Weight	Boxed w/ Finished Hex Nuts	Quantity	Weight	BULK	Quantity	Weight	BULK	Quantity	Weight	Carbon Steel	Zinc Plated
1/4 x 1	7/8	100	3.25	2000	65.80	1500	37.20	3000	73.20					Z3P4100	S3P4100
1/4 x 1-1/4	7/8	100	3.45	2000	69.80	1300	35.00	2600	68.80					Z3P4104	S3P4104
1/4 x 1-1/2	7/8	100	3.85	2000	77.80	1300	40.20	2600	79.20					Z3P4108	S3P4108
5/16 x 1-1/4	1-1/16	100	5.25	1000	53.30	800	33.20	1600	65.20					Z3P5104	S3P5104
5/16 x 1-1/2	1-1/16	100	5.70	1000	57.80	700	32.35	1400	63.50					Z3P5108	S3P5108

\*\* All T.O.P.S. Inc. elevator bolts are quality tested and exceed grade 2 specifications.

Need a distributor in your area? Please contact T.O.P.S. Inc. at 877-326-4704!!

**First company in the United States  
to offer the 3 Pronged (*Western Style*) elevator bolt!!**



2641 Metro Blvd. Maryland Heights, MO 63043  
(Phone) 636-326-4700 (Fax) 314-395-8671 (Online) [www.topsinc.us](http://www.topsinc.us)